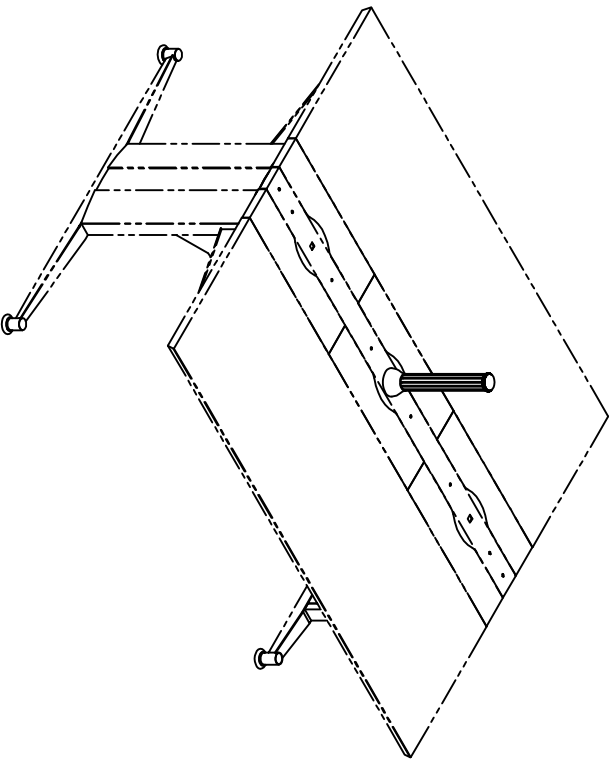




BETTER FOR YOUR BUSINESS™

Monitor Supports

Model No. TAMSP & TAMDP






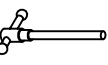
ASSEMBLY INSTRUCTIONS

CALL 1-800-822-8037 FOR ASSISTANCE




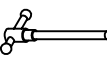
P/N I706 06/22/10

www.mayline.com

**PARTS LIST - TAMSP**

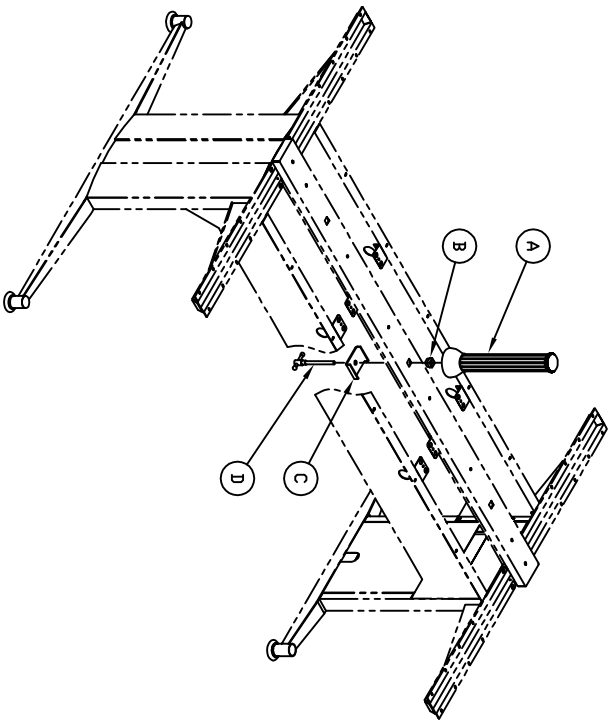
| Name     | Part  | Qty.     | Name     | Part   | Qty.     |
|----------|---|----------|----------|--|----------|
| <b>A</b> | <br>Single Height Post | <b>1</b> | <b>C</b> | <br>Plate         | <b>1</b> |
| <b>B</b> | <br>Cap                  | <b>1</b> | <b>D</b> | <br>T-Handle Screw | <b>1</b> |

**PARTS LIST - TAMDP**

| Name     | Part  | Qty.     | Name     | Part  | Qty.     |
|----------|---|----------|----------|---|----------|
| <b>A</b> | <br>Dual Height Post | <b>1</b> | <b>C</b> | <br>Plate          | <b>1</b> |
| <b>B</b> | <br>Cap              | <b>1</b> | <b>D</b> | <br>T-Handle Screw | <b>1</b> |

**1** Insert cap (B) into square hole in table beam.

**2** Attach post (A) to table beam using plate (C) and finger bolt (D).



**3**